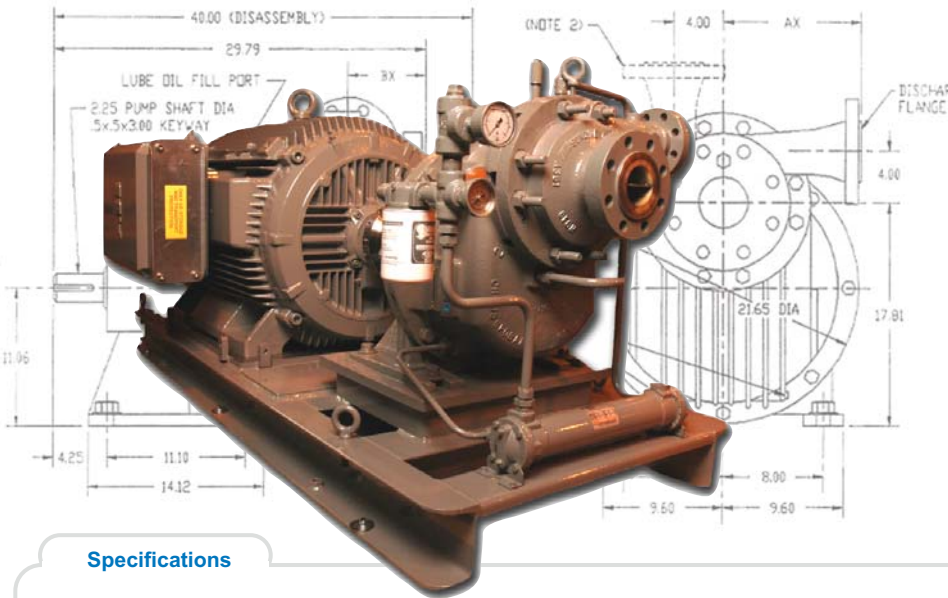




Gear Driven, Centrifugal High-pressure Pump

Sunflo P 3000



The Sunflo P-3000 pump is a gear driven, centrifugal pump.

- Flows to 500 gpm (114 m³/hr)
- Heads to 4,200 ft (1,280 m)

The P-3000 is ideal for high-pressure general industry, non-API applications.

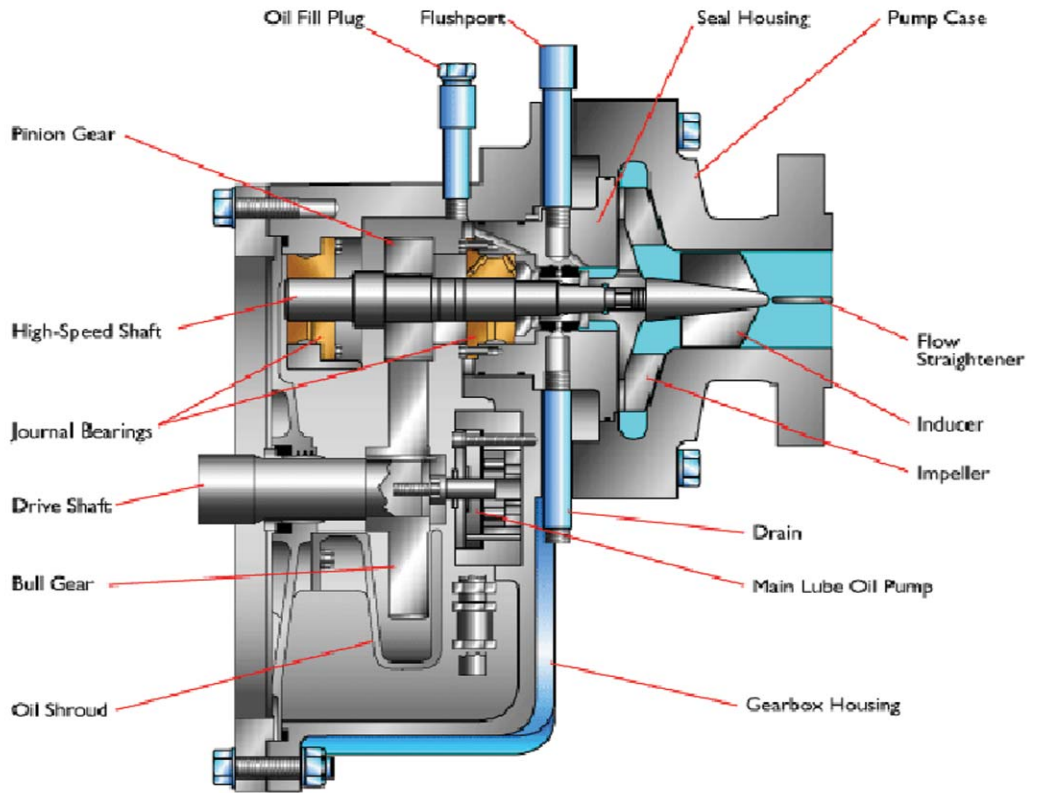
APPLICATIONS

- Washing Systems
- Emergency Feedwater
- Trim Squirt
- Mine Dewatering
- Air Pollution
- Flue Gas Wet Scrubbing
- Industrial Waste

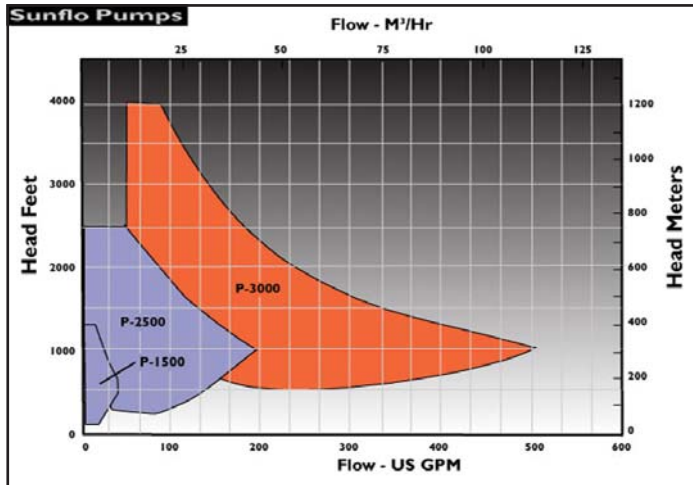
Specifications

Heads To	500 to 4,200ft	180 to 1,280m
Flows To	0 to 500gpm	0 to 114m ³ /hr
Max Power	250	186
Temp Range	-50 to 350°F	-46 to 177°C
Number of Stages	1.0	
Max Case Working Pressure	2,160 psi	152 kg/cm ²
Max Suction Pressure	350psi	25kg/cm ²
Standard Delivery	5 Weeks	
Speed Range	6,756 to 17,750rpm-60Hz	
Materials of Construction	316 Stainless Steel, AISI 4140 / 8620 / 9310 Steel, Aluminum or Cast Steel	
Bearing Materials Available	Ball Bearings, Journal Bearings, Riveted Steel, Phenolic, Grease Packed	
Hydrotest Pressure	2,160 psig	151 kg/cm ² g
Max Viscosity	10 cp	
Solids Range	0.015" (0.381mm)	400 microns
Mounting Configurations	Horizontal Right, Vertical Up (viewed from suction)	
Number of Available Hydraulics	244.0	
Seal Configurations Available	Single, Double	
Available Inducer	Yes	
Available Flanges	900# RF	
Pump Case Corrosion Allowance	1/8"	3.2 mm
Suction and Discharge Size	4" X 3", 3" X 2"	
Seal Plans for Sunflo Pumps	11, 12, 13, 21, 31, 41, 52, 53	

- Dewatering
- Boiler Feedwater
- Snowmaking
- Condensate
- Emissions Reduction
- Mineral Processing
- Wastewater Treatment
- Inorganic Chemicals
- Tank Farm Transfer
- Seawater Reverse Osmosis (SWRO)
- Bioprocessing
- Concentrator
- Sulfur Compound Extraction
- High Pressure Washdown
- Agriculture
- Water Cooling
- Evaporators
- High Pressure Water Injection
- Plastics
- Filtration
- Steam Generator Feed



PERFORMANCE



CHECK OUT THE COMPLETE SUNFLO PRODUCT SERIES



Sundyne Corporation's line of Sunflo pumps is ideally suited for applications that don't require specific industry norms. These non-standard pump designs deliver high-pressure flows, which are perfect for OEM and general industrial applications.

Visit our website at: www.sundyne.com